

# QSD5000 QSD5000B

Heavy-duty Level-2 Post Lift  
重吨位系列 - 电解锁双柱举升机

QSD5000



Electric Lock Release  
电动解锁



Electromagnetic Lowering  
电磁下降

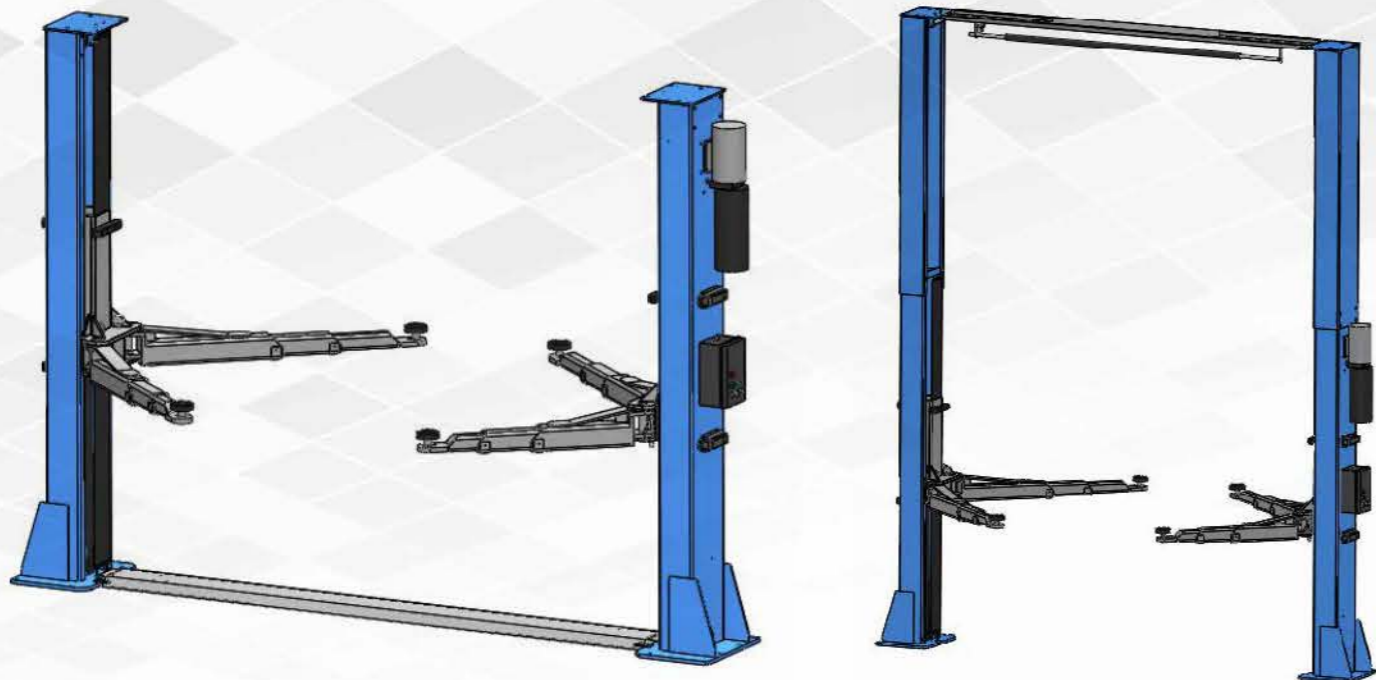
QSD5000B



Electric Lock Release  
电动解锁



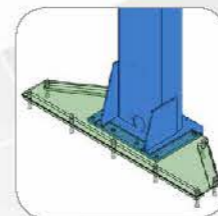
Electromagnetic Lowering  
电磁下降



## OPTIONAL ACCESSORIES 可选配件



Height adapters for SUVs & trucks (100/150/200mm)  
100/150/200mm 增高套



Floor reinforcement  
加强底座降低打孔深度



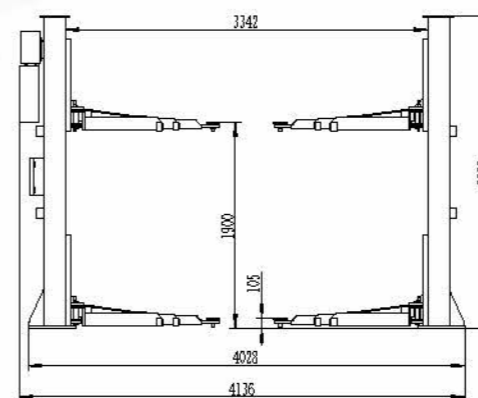
Special fork for battery car  
电动车托胎器



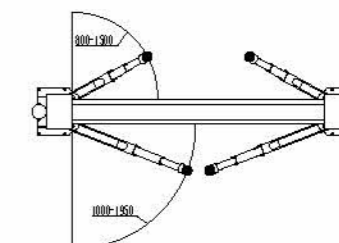
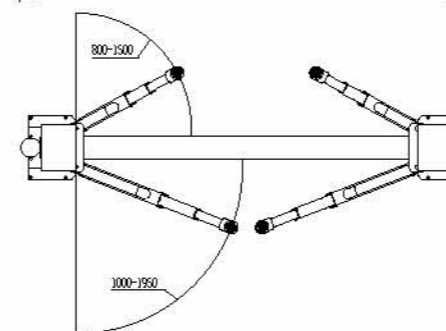
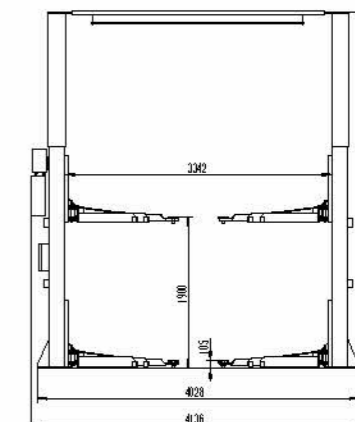
Fast adjustable pad  
快速托盘

## OVERALL DIMENSION 尺寸参数

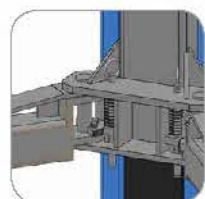
QSD5000



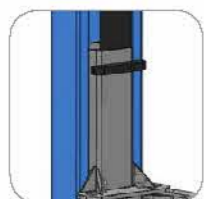
QSD5000B



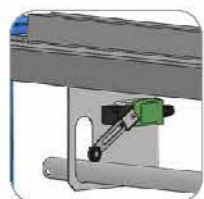
## FEATURES 产品特点



Automatic arm-locking system  
托臂锁自动上锁设计



Car door protection  
车门防撞垫



Top-beam design  
限位杆防撞设计



24v safety control box  
24v 安全操作电控箱



Safety valves against hose breaking  
安全阀确保使用安全

## STANDARD 标准配置



Adjustable lifting pad to 3 heights  
可调节双螺旋 (3 节) 举升托盘



Aluminum motor  
铝电机散热性能好



Dust protection  
防尘遮布



70mm height adapters (4 pcs)  
4 个 70mm 增高套

## TECHNICAL DATA 技术参数

| Model              | 型号         | QSD5000     | QSD5000B      |
|--------------------|------------|-------------|---------------|
| Capacity           | 举升重量       | 5000kg      | 5000kg        |
| Lifting height     | 举升高度       | 1900mm      | 1900mm        |
| Min. Height        | 最低高度       | 105mm       | 105mm         |
| Overall height     | 总高度        | 2880mm      | 4450mm/5100mm |
| Overall width      | 总宽度        | 4028mm      | 4028mm        |
| Front arm(3-stage) | 前托臂 (3 段式) | 800-1500mm  | 800-1500mm    |
| Rear arm(3-stage)  | 后托臂 (3 段式) | 1000-1950mm | 1000-1950mm   |
| Lifting time       | 上升时间       | 45-50s      | 45-50s        |
| Power of motor     | 电机功率       | 2.2kW       | 2.2kW         |