

QSD 2500E



2.5 Ton Automatic Mobile Single-post Lift 2.5吨电动解锁移动单柱举升机



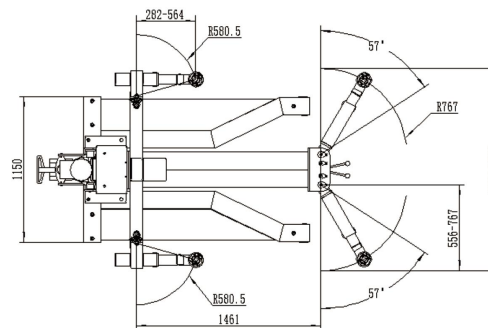
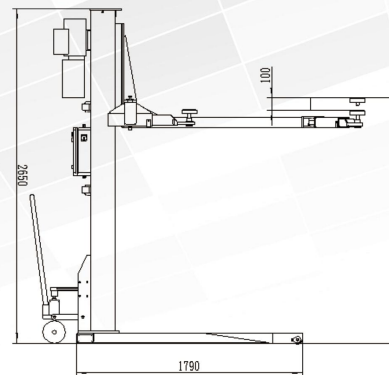
2500 KG

- Electric Lock Release
电动解锁
- Electromagnetic Lowering
电磁下降

FEATURES 产品特点

- ☑ 2,500kg lifting capacity, mobile single post lift
- ☑ Fully automatic lock release, UP and DOWN operation via control box
- ☑ Double spindle screw-up lifting pads, easy to locate support points
- ☑ Fully adjustable swing lifting arms
- ☑ Automatic arm locking system
- ☑ Heavy-duty structural column
- ☑ Aluminum motor avoids overheated and ensures long service life
- ☑ Pallet jack style hydraulics to raise lift onto wheels
- ☑ 4 pcs 85mm truck and SUV height adapters included
- ☑ Powder coat paint finish
- ☑ Approved in accordance with European CE standard EN 1493

OVERALL DIMENSION 尺寸参数



TECHNICAL DATA 技术参数

| 型号 | Model | QSD 2500E |
|------|---------------------|-----------|
| 举升重量 | Lifting capacity | 2500kg |
| 举升高度 | Max. lifting height | 1870mm |
| 最低高度 | Min. height | 115mm |
| 上升时间 | Lifting time | 60s |
| 电机功率 | Motor Power | 2.2kW |